

THIS DRAWING AND SPECIFICATIONS, HEREIN ARE THE PROPERTY OF DIGITAL EQUIPMENT CORPORATION AND SHALL NOT BE REPRODUCED OR COPIED OR USED IN WHOLE OR IN PART AS THE BASIS FOR THE MANUFACTURE OR SALE OF ITEMS WITHOUT WRITTEN PERMISSION. COPYRIGHT © 1975 DIGITAL EQUIPMENT CORPORATION

NOTES:

- FOR DRAWING DIRECTORY, REFER TO B-DD-M7060-0
- UNLESS OTHERWISE SPECIFIED, THE FOLLOWING PIN NUMBERS APPLY

PACKAGE TYPE	VCC	GND
14 PIN DIP	14	7
16 PIN DIP	16	8
I.C. DEC 7390	8	1
I.C. DEC 9263	24	12
I.C. DEC 74150	24	12
I.C. DEC 7418	5	13
I.C. DEC 7475	5	12
I.C. DEC 7314	8	1
I.C. DEC 7384	8	1
- REF. DESIGNATIONS NOT USED: C7, C17, C59 & C60

ECO #1 CONT'D

WIRE ADDS SIDE 1:
 1-6 FROM E36-14 TO E45-6
 1-7 FROM E46-9 TO E45-5
 1-8 FROM E45-4 TO E45-12
 1-9 FROM E26-5 TO E45-11
 1-10 FROM E45-13 TO E31-15
 1-11 FROM F/T ABOVE R25 TO F/T ABOVE AND TO THE LEFT OF E24-1

COMPONENT ADD:
 1-12 REPLACE E45 WITH (7402-1909004)

WIRE ADDS SIDE #2 AS SHOWN (ITEM #42):
 SOLDER BUSS WIRE TO PINS OF CONN J1 ON SIDE 2

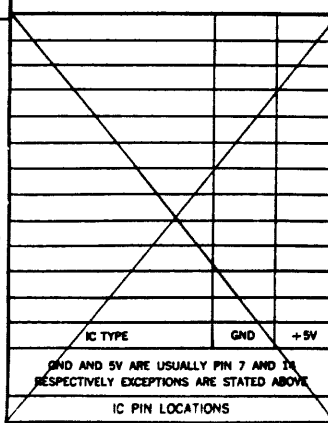
- ADD WIRE FROM J1-B TO J1-D.
- ADD WIRE FROM J1-D TO J1-F.
- ADD WIRE FROM J1-F TO J1-J.
- ADD WIRE FROM J1-J TO J1-L.
- ADD WIRE FROM J1-L TO J1-N.
- ADD WIRE FROM J1-N TO J1-R.
- ADD WIRE FROM J1-R TO J1-T.
- ADD WIRE FROM J1-T TO J1-V.
- ADD WIRE FROM J1-V TO J1-X.

ECO #1

COMPONENT DELETE:
 1-1 REMOVE E45 (7402-1909004)

ETCH CUTS SIDE 1:
 1-2 BETWEEN E45-3 AND E45-11
 1-3 BETWEEN E45-12 AND F/T
 1-4 E31-1 NEAR F/T

ETCH CUT SIDE 2:
 1-5 E31-15 NEAR E31-2



QTY	REF. DESIGNATION	DESCRIPTION	PART NO.	ITEM NO.
1		ETCH CIRCUIT BOARD	5011052	1
54	C1 THRU C8, C9 THRU C18, C19 THRU C58	CAP. .01uf 10% 100V	1001610-01	2
1	C57	CAP. 8.0uf 10% 35V	1005308	3
1	C58	CAP. 560pf 100V	1000025	4
1	C81	CAP. .01uf 100V	1000019	5
1	C82	CAP. 100pf 100V	1000016	6
1	F1	FUSE 5 AMP	1205747	7
1	J1	CONN. 40 PIN RT. ANG. HEADER	1209941-02	8
1		RIGHT ANGLE HEADER LEFT LATCH	1209941-03	9
1		RIGHT ANGLE HEADER RIGHT LATCH	1209941-04	10
18	R1 THRU R9, R10, R17, R25 THRU R31	RES. 1K 5% 1/8W	1300365	11
2	R10, R11	RES. 390 5% 1/8W	1300309	12
7	R12, R13, R14 THRU R21, R32	RES. 190 5% 1/8W	1301322	13
1	R14	RES. 4.7K 5% 1/8W	1300447	14
4	R15, R22, R23, R24	RES. 10K 5% 1/8W	1300479	15
1	Q1	TRANS. 2N3000B	1503100	16
4	E1, E2, E3, E5	I.C. DEC 8938	1911117	17
8	E4, E21, E30, E37, E39, E39, E43, E51	I.C. DEC 7390	1910290	18
2	E8, E11	I.C. DEC 8263	1910471	19
1	E7	I.C. DEC 74150	1910153	20
4	E8, E33, E42, E47	I.C. DEC 7403	1905575	21
2	E9, E10	I.C. DEC 74157	1910655	22
8	E12, E14, E18, E19, E22, E23, E24, E30	I.C. DEC 7478	1905595	23
2	E13, E15	I.C. DEC 8319	1910454	24
1	E18	I.C. DEC 74193	1910019	25
1	E17	PRIORITY JUMPER PLUG	5408778	26
1	EX17	PRIORITY COCKEY	1209939	27
4	E20 *27, E28, E29	I.C. DEC 7475	1909050	28
3	E25, E41, E52	I.C. DEC 7474	1905547	29
1	E28	I.C. DEC 74123	1910436	30
1	E31	ROM 5800 (OR 8330 OR 8223)	23112A1	31
1	E32	I.C. DEC 7314	1910399	32
2	E34, E48	I.C. DEC 7404	1909886	33
1	E35, E45	I.C. DEC 7402	1909004	34
1	E40	I.C. DEC 7394	1910393	35
3	E44, E49, E49	I.C. DEC 8242	1909712	36
1	E50	I.C. DEC 7408	1910155	37
4	E53, E54, E55, E58	I.C. DEC 8881	1909705	38
17	W1 THRU W17	JUMPER WIRE (WHT. INS.)	9009195	39
8		EYELET, HANDLE	9006732	40
3		HANDLE, FLIP CHIP (MAGENTA)	9008337-08	41
81N		WIRE #22 AVG BUSS	9107560-01	42

SEMICONDUCTOR CONVERSION CHART

DRN: [] DATE: 5-22-75
 CHKD: [] DATE: []
 ENG: [] DATE: []
 PROJ. ENG: [] DATE: []
 PROD: [] DATE: []

TITLE: PUSH BUTTON CONTROL

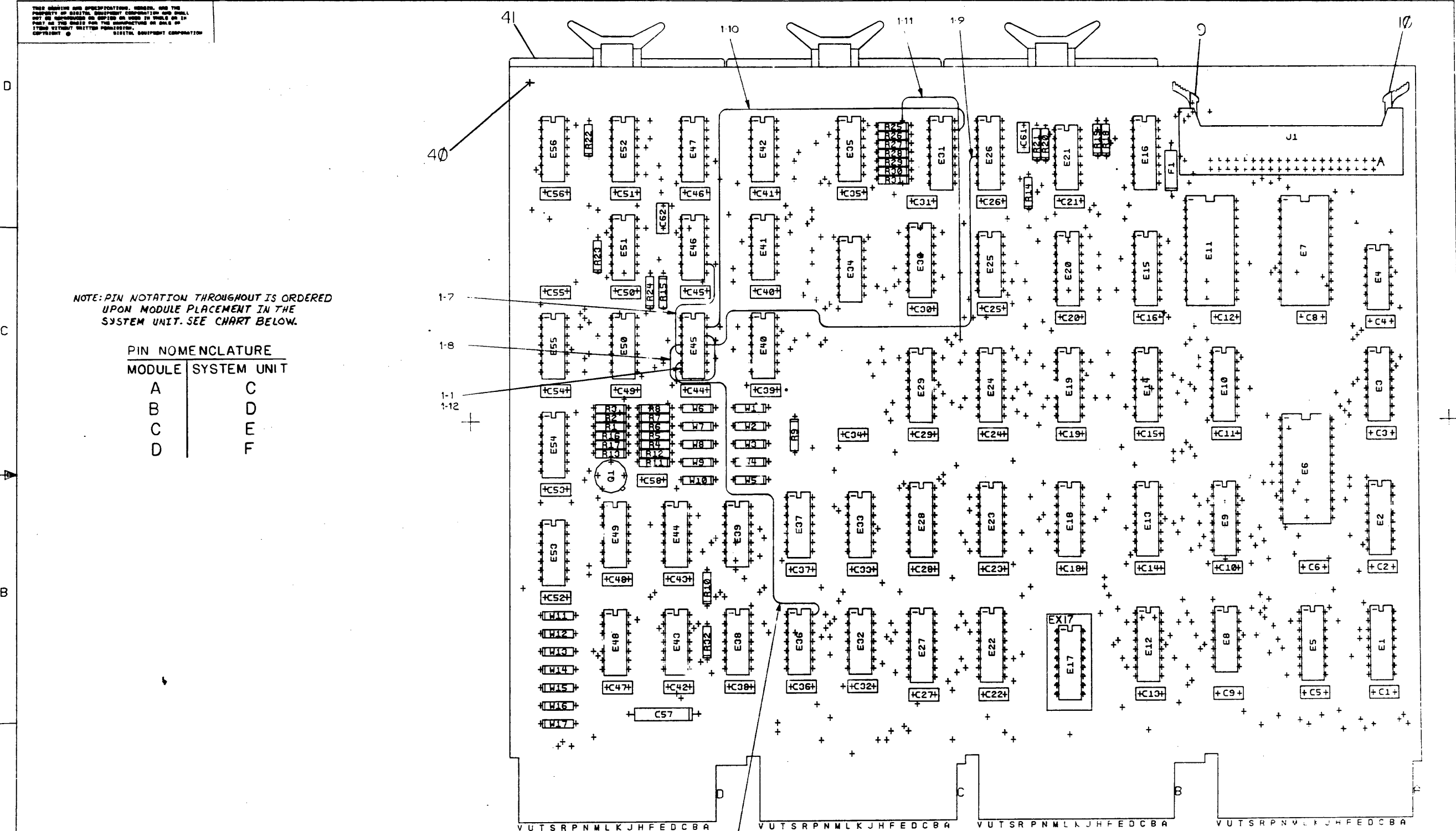
SIZE CODE: D U A M 7060-0-0
 NUMBER: []
 SCALE: 2/1
 SHEET: [] OF 5

DEC NO. [] EIA NO. [] DEC NO. [] EIA NO. []

11 Nov 77
 J. OZKEVICH
 02/17/78
 J. OZKEVICH
 02/17/78
 J. OZKEVICH
 02/17/78
 M7060-00001
 M7060-00002
 M7060-00003
 M7060-00004
 M7060-00005
 M7060-00006
 M7060-00007
 M7060-00008
 M7060-00009
 M7060-00010
 M7060-00011
 M7060-00012
 M7060-00013
 M7060-00014
 M7060-00015
 M7060-00016
 M7060-00017
 M7060-00018
 M7060-00019
 M7060-00020

THIS DRAWING AND SPECIFICATIONS, HEREIN, AND THE PROPERTY OF DIGITAL EQUIPMENT CORPORATION AND SHALL NOT BE REPRODUCED OR COPIED IN WHOLE OR IN PART FOR THE DESIGN OR THE CONSTRUCTION OF ANY OTHER ITEM WITHOUT WRITTEN PERMISSION. COPYRIGHT © DIGITAL EQUIPMENT CORPORATION

0-0-0907W 2 1



NOTE: PIN NOTATION THROUGHOUT IS ORDERED UPON MODULE PLACEMENT IN THE SYSTEM UNIT. SEE CHART BELOW.

PIN NOMENCLATURE	
MODULE	SYSTEM UNIT
A	C
B	D
C	E
D	F

NOTES:

CHK	CHANGE	NO	REV

SIGNATURES	DATE	digital
DRN.		
CHK'D		TITLE
ENG.		PUSH BUTTON CONT.
PROJ. ENG.		
PROD. REV.		
SCALE		SIZE CODE
SHT. 2 OF 5		NUMBER
ETCH REV		0 UA M7060-0-0
		REV
		C

DIGITAL EQUIPMENT CORPORATION DUA M7060-0-0

8

7

6

5

4

3

2 | DUA M7060-0-0-0 2

1

975

D

C

B

A

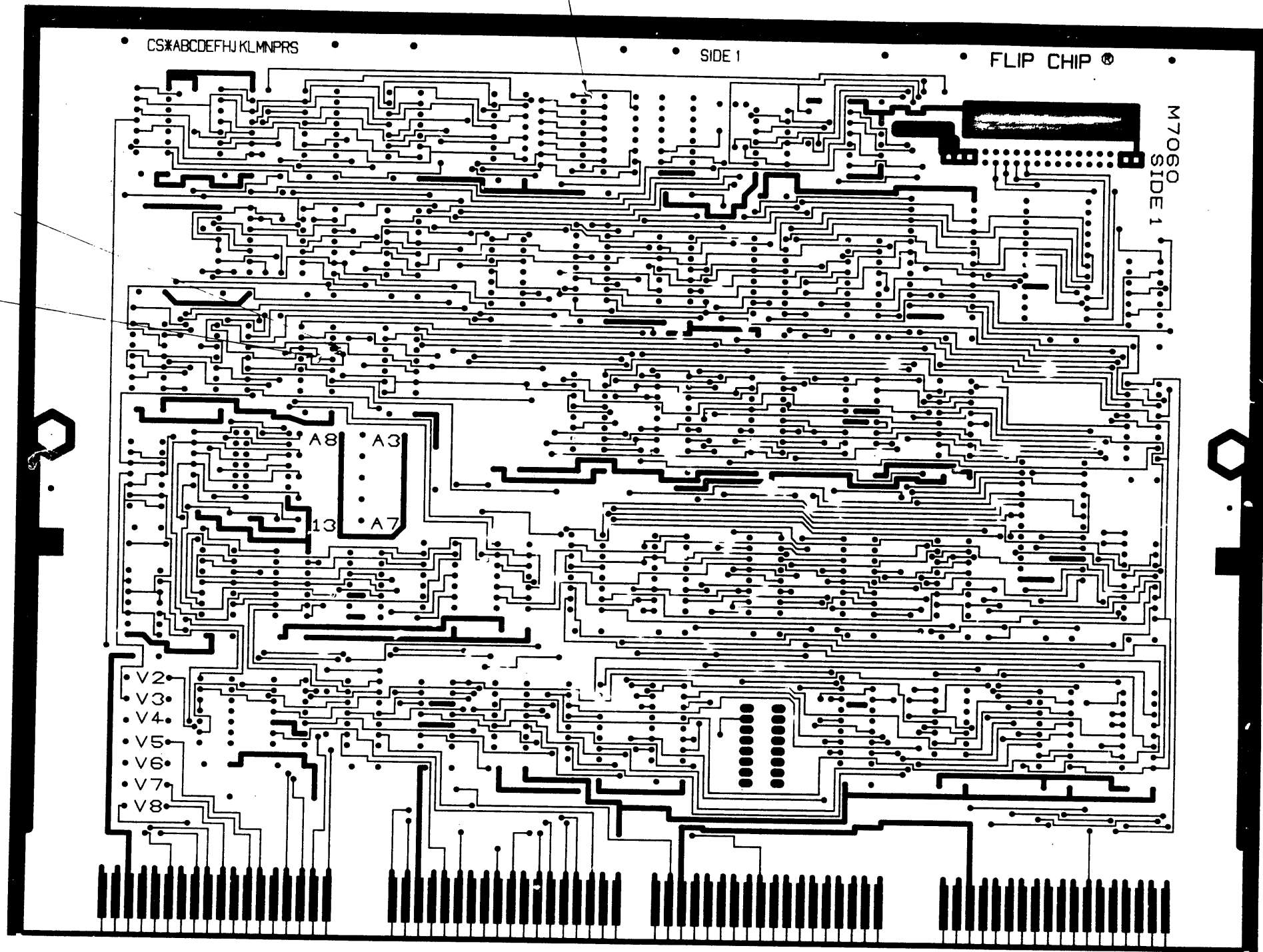
D

C

B

A

D A M 7060 0 0 0



REV	DATE	BY

TITLE				
PUSH BUTTON CONTROL	DUA M7060-0-0-0	C		
SCALE	1:1	SHEET	3	5

8

7

6

5

4

3

2

1

8

7

6

5

4

3

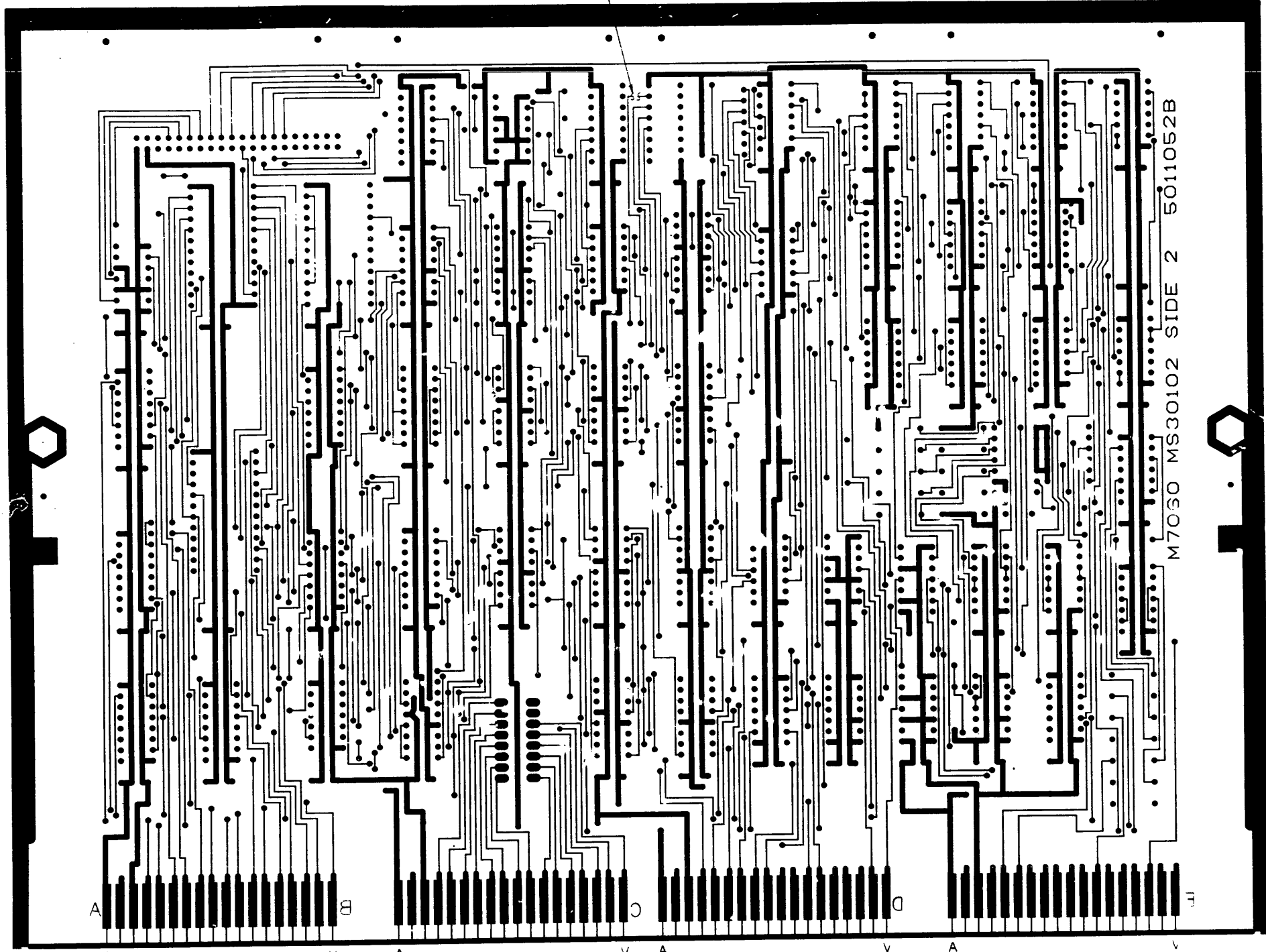
2

1

DUA M7050-0-0 2

C1975

1-5



A

B

C

D

IT

A

V

A

V

A

V

A

V

A

REV	DATE	BY	CHKD

8

7

6

5

4

3

2

1

TITLE
PUSH BUTTON CONTROL

DUA M7050-0-0 C

SCALE --

SHEET 4 OF 5

8

7

6

5

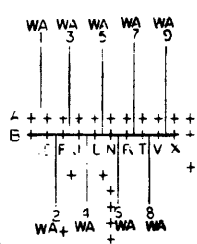
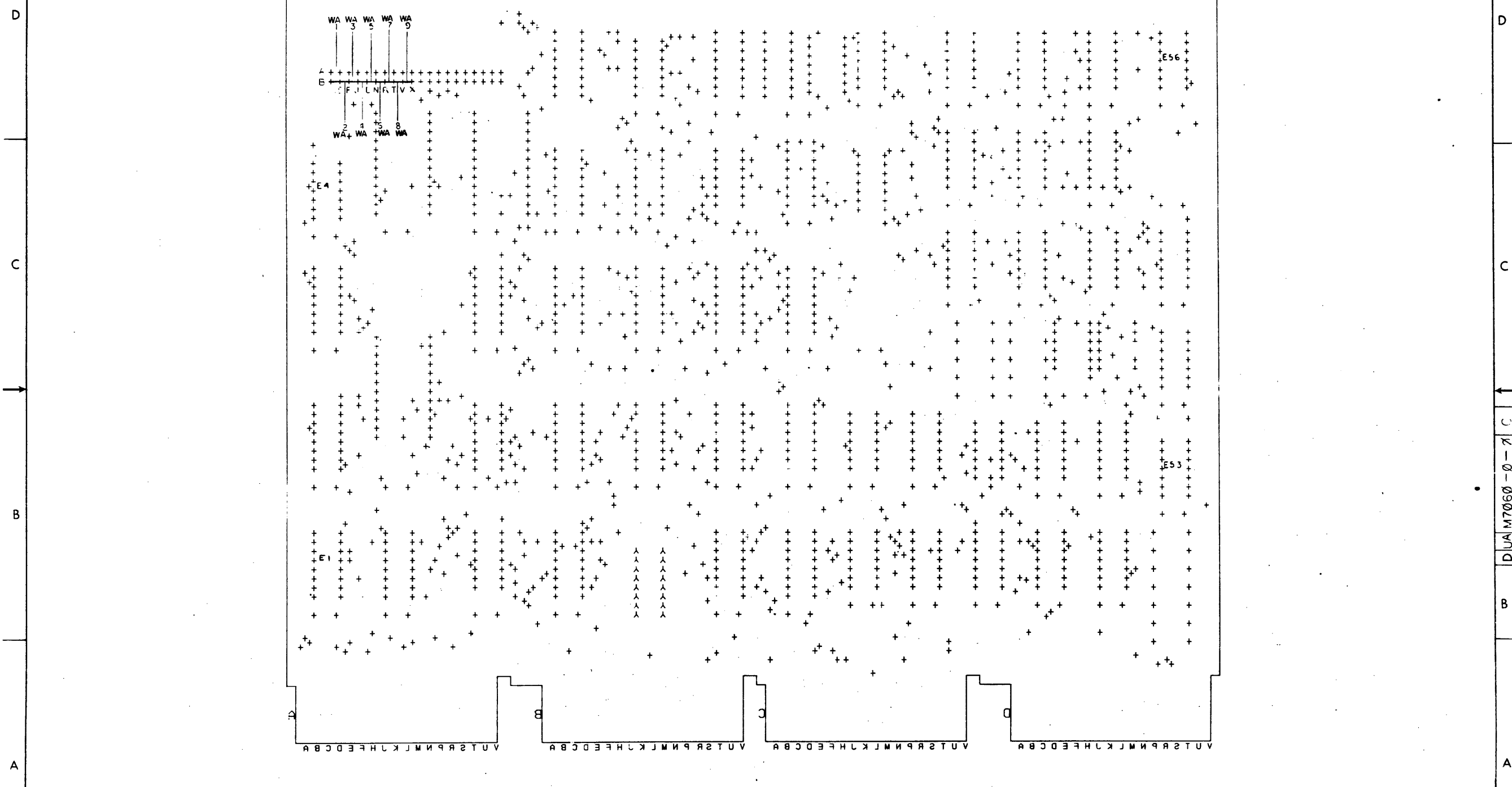
4

3

D|UA|M7060-0-0

1

© 1975



REV. LOG.		
CHK	CHANGE NO.	REV.

TITLE	SIZE CODE	NUMBER	REV.
PUSH BUTTON CONTROL	D UA M7060-0-0	1	C
SCALE	SHEET	OF	DIST
1/4"	5	5	

8

7

6

5

4

3

2

1

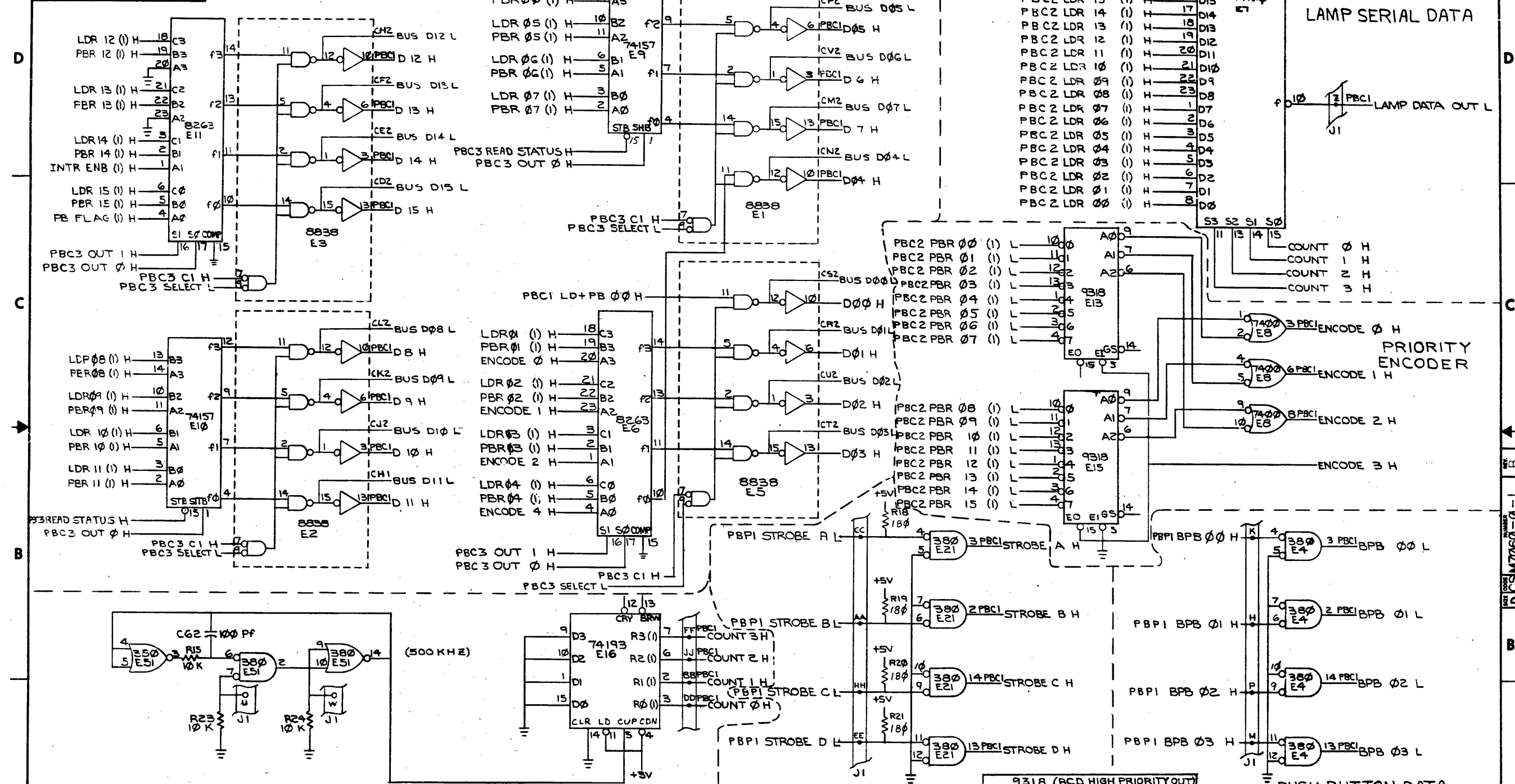
D|UA|M7060-0-0-1

B

A

THIS DRAWING AND SPECIFICATIONS HEREAFTER ARE THE PROPERTY OF DIGITAL EQUIPMENT CORPORATION AND SHALL NOT BE REPRODUCED OR COPIED OR USED IN WHOLE OR IN PART AS THE BASIS FOR THE MANUFACTURE OR SALE OF ITEMS WITHOUT WRITTEN PERMISSION. COPYRIGHT © 1975, DIGITAL EQUIPMENT CORPORATION.

BUS DATA LINE TRANSEIVERS



REV.	CHG.	NO.	DATE	BY	CHK.
A					
B					

DEC FORM NO. 100-100

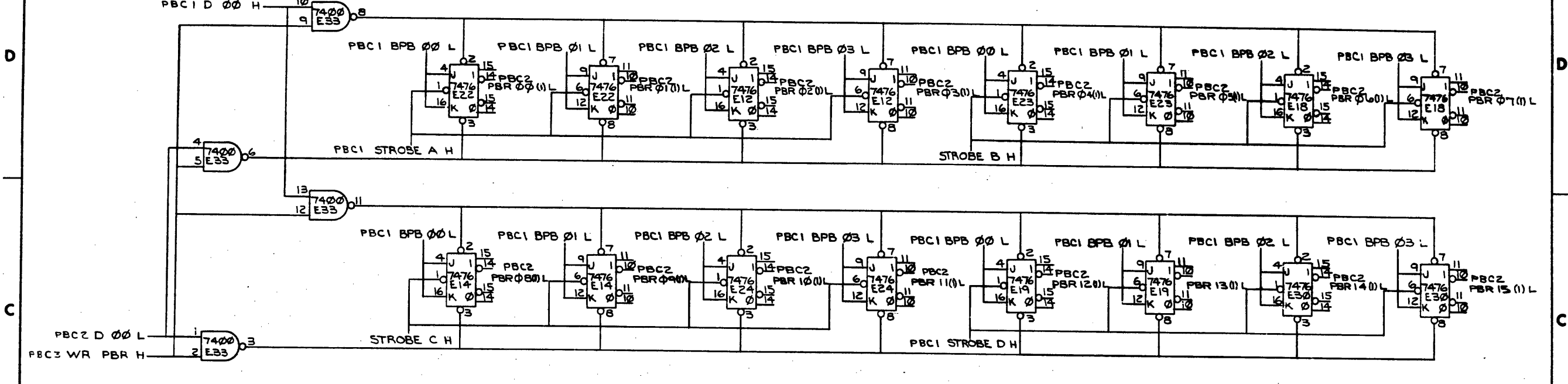
8263				
INPUT	SI	S0	COMP	OUTPUT
A	H	L	L	A
B	L	L	L	B
C	L	L	L	C

9318 (BCD HIGH PRIORITY OUT)							
INPUTS				OUTPUT			
EI	0	1	2	3	4	5	6
H	X	X	X	X	X	X	X
L	H	X	X	X	X	X	X
L	X	X	X	X	X	X	X
L	X	X	X	X	X	X	X
L	X	X	X	X	X	X	X
L	X	X	X	X	X	X	X
L	X	X	X	X	X	X	X

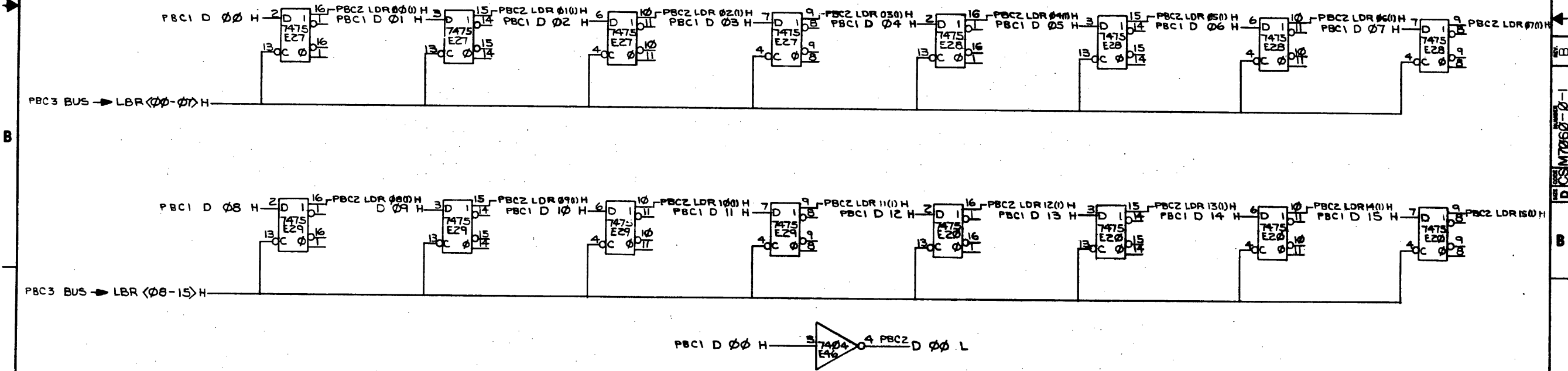
DRM	4/23/75	FIRST USED ON	
CHK	4/23/75	TITLE	PUSH BUTTON CONTROL
ENG.	4/23/75	NUMBER	PBC1
PRJ. ENG.	4/23/75	SCALE	1 OF 3
PROD.	4/23/75	SHEET	1 OF 3
NEXT HIGHER ASSY.		SIZE	D
3-DD-M7060-0		CODG	CSM7260-0-1
SCALE		NUMBER	B
SHEET		DIST.	

THIS DRAWING AND SPECIFICATIONS, HEREIN, ARE THE PROPERTY OF DIGITAL EQUIPMENT CORPORATION AND SHALL NOT BE REPRODUCED OR COPIED OR USED IN WHOLE OR IN PART AS THE BASIS FOR THE MANUFACTURE OR SALE OF ITEMS WITHOUT WRITTEN PERMISSION. COPYRIGHT © 1975, DIGITAL EQUIPMENT CORPORATION.

PUSH BUTTON REGISTER



LAMP DATA REGISTER

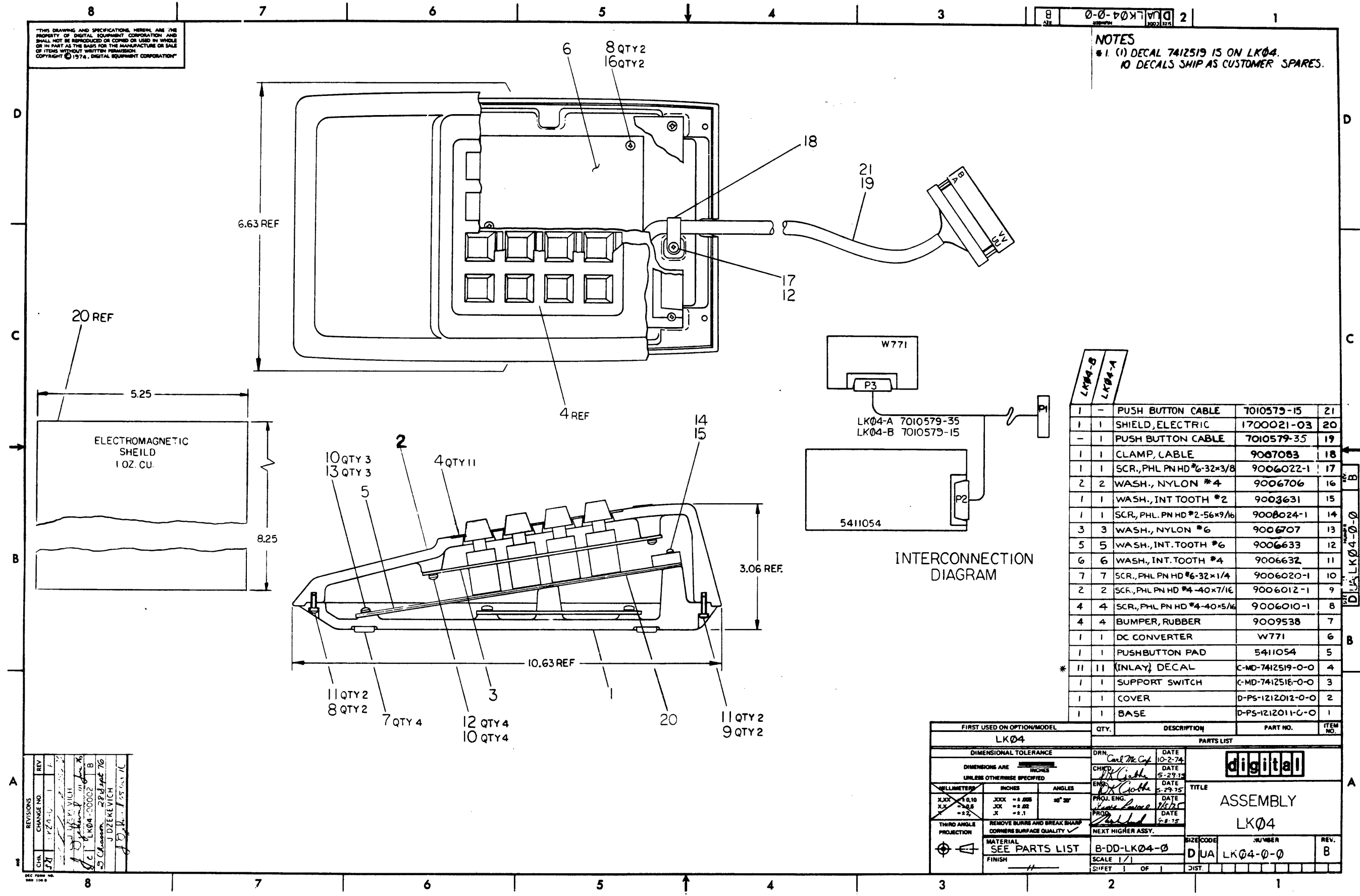


REV.	
CHG.	
CHK.	
REVISIONS	
CHANGE NO.	

DRN. 9/20/75	FIRST USED ON	digital
CHK'D 1/28/75		
ENG. 2/2/75	TITLE	PUSH BUTTON CONTROL
PROJ. ENG. 1/2/75		
PROD. UNIT 12/2/75		PBC2
NEXT HIGHER ASSY.		
B-00-M7060-0	SIZE CODE	NUMBER
SCALE 1/1	D CS M7060-0-1	REV. B
SHEET 2 OF 3	DIST.	

THIS DRAWING AND SPECIFICATIONS HEREIN ARE THE PROPERTY OF DIGITAL EQUIPMENT CORPORATION AND SHALL NOT BE REPRODUCED OR COPIED OR USED IN WHOLE OR IN PART AS THE BASIS FOR THE MANUFACTURE OR SALE OF ITEMS WITHOUT WRITTEN PERMISSION. COPYRIGHT © 1974, DIGITAL EQUIPMENT CORPORATION

NOTES
 #1 (1) DECAL 7412519 IS ON LK04.
 NO DECALS SHIP AS CUSTOMER SPARES.



QTY.	DESCRIPTION	PART NO.	ITEM NO.
1	PUSH BUTTON CABLE	7010579-15	21
1	SHIELD, ELECTRIC	1700021-03	20
1	PUSH BUTTON CABLE	7010579-35	19
1	CLAMP, CABLE	9007083	18
1	SCR., PHL PN HD #6-32x3/8	9006022-1	17
2	WASH., NYLON *4	9006706	16
1	WASH., INT TOOTH *2	9003631	15
1	SCR., PHL. PN HD #2-56x9/16	9006024-1	14
3	WASH., NYLON *6	9006707	13
5	WASH., INT. TOOTH *6	9006633	12
6	WASH., INT. TOOTH *4	9006632	11
7	SCR., PHL PN HD #6-32x1/4	9006020-1	10
2	SCR., PHL PN HD #4-40x7/16	9006012-1	9
4	SCR., PHL PN HD #4-40x5/16	9006010-1	8
4	BUMPER, RUBBER	9009538	7
1	DC CONVERTER	W771	6
1	PUSHBUTTON PAD	5411054	5
* 11	(INLAY) DECAL	C-MD-7412519-0-0	4
1	SUPPORT SWITCH	C-MD-7412516-0-0	3
1	COVER	D-PS-1212012-0-0	2
1	BASE	D-PS-1212011-0-0	1

FIRST USED ON OPTION/MODEL		QTY.	DESCRIPTION	PART NO.	ITEM NO.
LK04					
DIMENSIONAL TOLERANCE		PARTS LIST			
DIMENSIONS ARE INCHES UNLESS OTHERWISE SPECIFIED		DRN. Carl Mc Coy	DATE 10-2-74	digital	
MILLIMETERS		CHKD. [Signature]	DATE 5-29-75		
ANGLES		ENG. [Signature]	DATE 5-29-75		
XJC ±0.10	JCK ±0.008	PROJ. ENG. [Signature]	DATE 11/17/75	ASSEMBLY LK04	
XJ ±0.8	JX ±0.02	PROD. [Signature]	DATE 5-8-75		
X ±0.2	J ±0.1	REMOVE BURRS AND BREAK SHARP CORNERS SURFACE QUALITY		MATERIAL SEE PARTS LIST	
THIRD ANGLE PROJECTION		NEXT HIGHER ASSY.		SIZE CODE B-DD-LK04-0	NUMBER DUA LK04-0-0
FINISH		SCALE 1/1		REV. B	

REV.	CHANGE NO.	DATE	BY
1	1	10/2/74	Carl Mc Coy
2	1	5/29/75	[Signature]
3	1	5/29/75	[Signature]
4	1	11/17/75	[Signature]
5	1	5/8/75	[Signature]

SEC FORM NO 108-B

This drawing and specifications here are the property of Digital Equipment Corporation and shall not be reproduced, stored in a retrieval system, or transmitted in any form or by any means, electronic, mechanical, photocopying, recording, or by any information storage and retrieval system, without the prior written permission of Digital Equipment Corporation.

NOTES:

1. FOR DRAWING DIRECTORY, REFER TO: B-DD-5411054-0.

2. UNLESS OTHERWISE SPECIFIED, THE FOLLOWING PIN NUMBERS APPLY:

PACKAGE TYPE	VCC	GND
16 PIN DIP	16	8
14 PIN DIP	14	7
	5	12
7475	8	4
74451	24	12
74154	8	1
7380	8	4
75453	8	4

3. E8, E4, E5, E6, E11, E15, E18, E22, E23, E24, & E25 ARE HAND INSERTED UNLESS GIVEN FIRST PRIORITY AT INSERTION

QTY	REF DESIGNATION	DESCRIPTION	PART NO.	ITEM NO.
1		ETCH CIRCUIT BOARD	5011053	1
2	E1, E9	I.C. DEC 7430	1905579	2
4	E2, E10, E14, E21	I.C. DEC 7475	1909050	3
10	E3 THRU E6, E15, E18, E22 THRU E25	I.C. DEC 75453	1911036	4
1	E7	I.C. DEC 7410	1905576	5
2	E8, E17	I.C. DEC 74153	1905937	6
1	E11	I.C. DEC 75451	1910408	7
1	E12	I.C. DEC 74154	1909701	8
2	E13, E28	I.C. DEC 7474	1905547	9
1	E16	I.C. DEC 9502	1910951	10
1	E19	I.C. DEC 7442	1910045	11
1	E20	I.C. DEC 7380	1910390	12
18	R1 THRU R16, R20, R25	RES. 1.2K 5% 1/4W	1301320	13
2	R17, R18	RES. 10K 5% 1/4W	1300479	14
1	R19	RES. 20K 5% 1/4W	1302391	15
4	R21 THRU R24	RES. 180 5% 1/4W	1301322	16
16	R25 THRU R41	RES. 1.5K 5% 1/4W	1300391	17
24	C1, C4 THRU C18, C20, C21, C23 THRU C28	CAP. .01 ufd 20% 100V	1001610-01	18
1	C2	CAP. 100pf 5% 100V	1000016	19
1	C3	CAP. 47pf 5% 100V	1000011	20
3	C30, C31, C32	CAP. 6.8ufd 10% 35V	1005306	21
16	S1 THRU S16	SWITCH PUSHBUTTON	1211066	22
1	J1	CONN. 40 PIN RT ANGLE HEADER	1209941-02	23
16		LAMP	1212651-00	24
18		KEY CAP	1211301-32	25
				26
1		LATCH, LEFT RT. ANG. HEADER	1209941-03	27
1		LATCH, RIGHT, RT. ANG. HEADER	1209941-04	28

QTY	REF DESIGNATION	DESCRIPTION	PART NO.	ITEM NO.
-----	-----------------	-------------	----------	----------

PARTS LIST

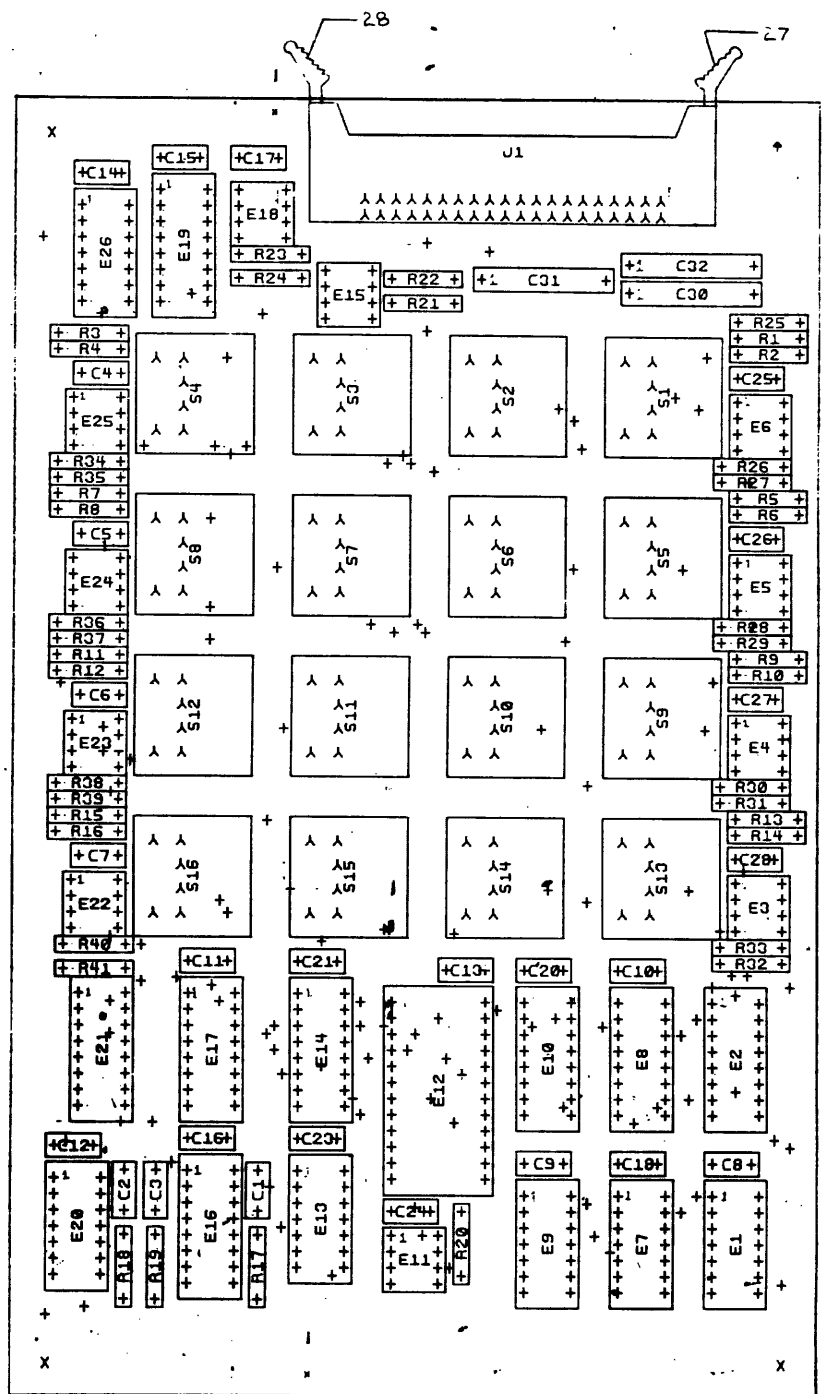
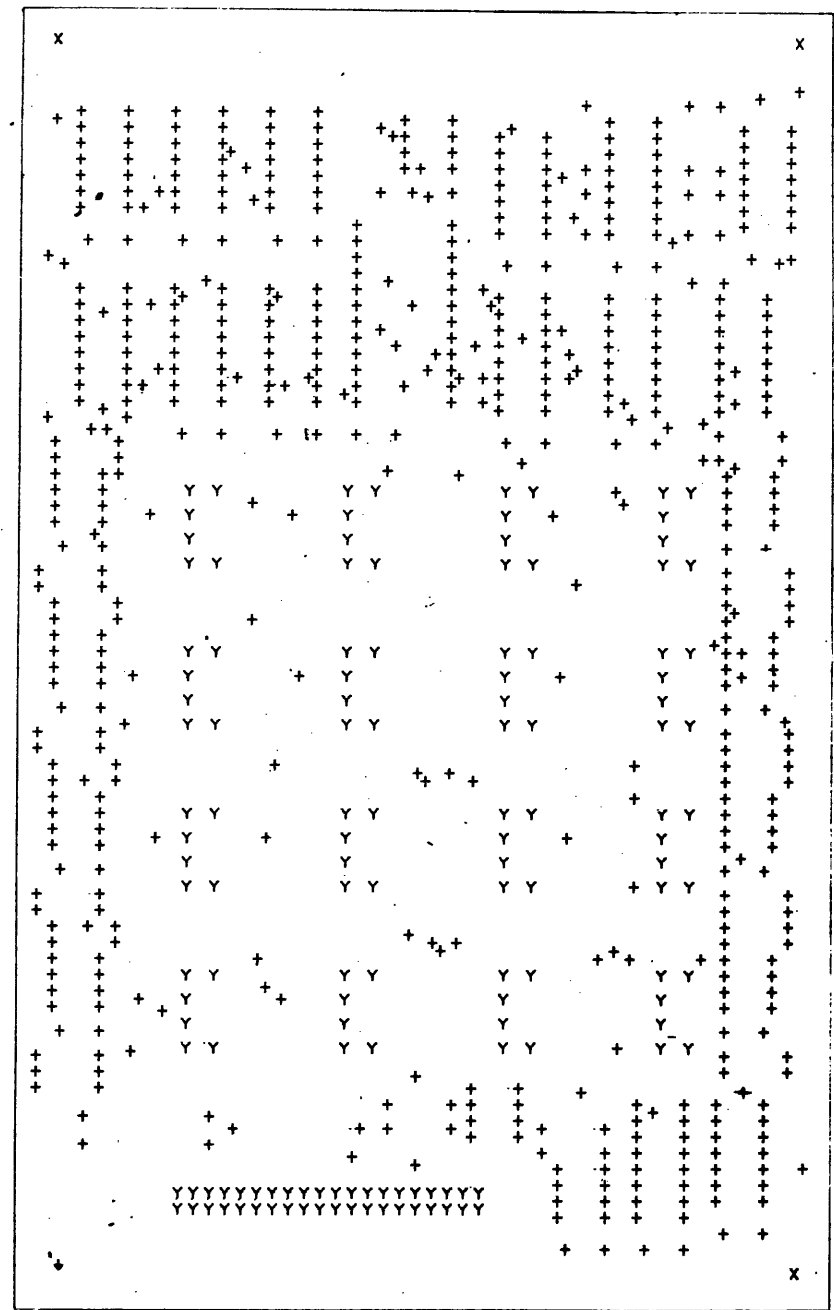
ETCH BOARD REV		E		
DRN	DATE	DIGITAL EQUIPMENT CORPORATION 300 MASSACHUSETTS ST.		
CHKD	DATE	TITLE PUSH BUTTON PAD		
ENGR	DATE	REV. E		
PROJ. ENG.	DATE	SIZE/CODG: D/JA 5411054-0-0		
PROD.	DATE	NO. 488		
NEXT HIGHER ASSY		REV. E		
B-DD-5411054-0		SCALE 2 TO 1		
DEC NO.		EIA NO.		SHEET 1 OF 3
DEC NO.		EIA NO.		DIST.

DATE	02-20-76
BY	J. DZEKEVICH
DATE	7-12-76
BY	B. 5411054-0002 E
DATE	
BY	A. ADELMAN
DATE	
BY	M. Bismarck 3-31-76
DATE	
BY	5411054-0000 D
DATE	
BY	ORIGINATED C
DATE	
BY	CHK
DATE	
BY	CHANGE NO.
DATE	
BY	REVISIONS
DATE	

SEMICONDUCTOR CONVERSION CHART

THIS DRAWING AND SPECIFICATIONS HEREIN ARE THE PROPERTY OF DIGITAL EQUIPMENT CORPORATION AND SHALL NOT BE REPRODUCED OR COPIED OR USED IN WHOLE OR IN PART AS THE BASIS FOR THE MANUFACTURE OR SALE OF ANY EQUIPMENT WITHOUT THE WRITTEN PERMISSION OF DIGITAL EQUIPMENT CORPORATION.

5-0-541054-0-5 2

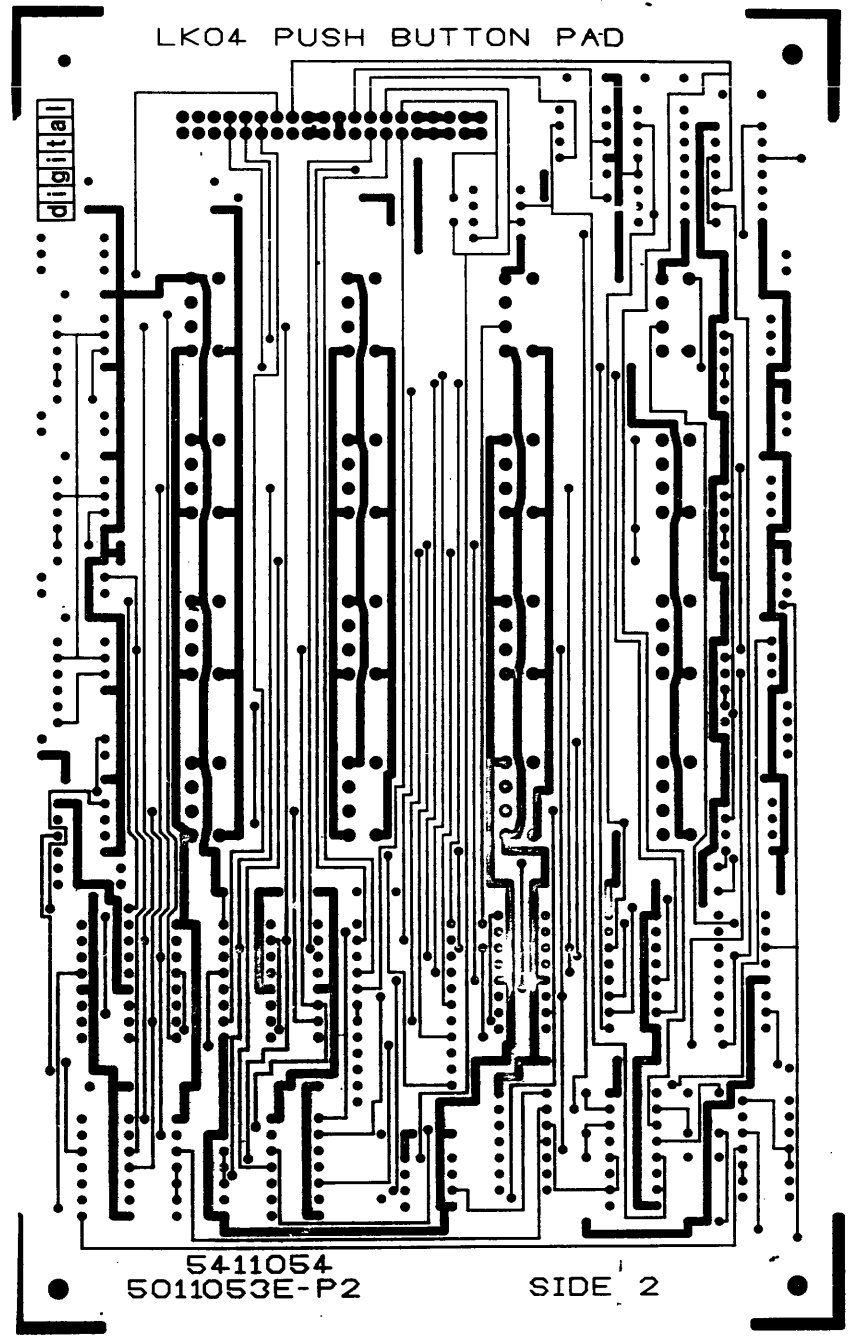
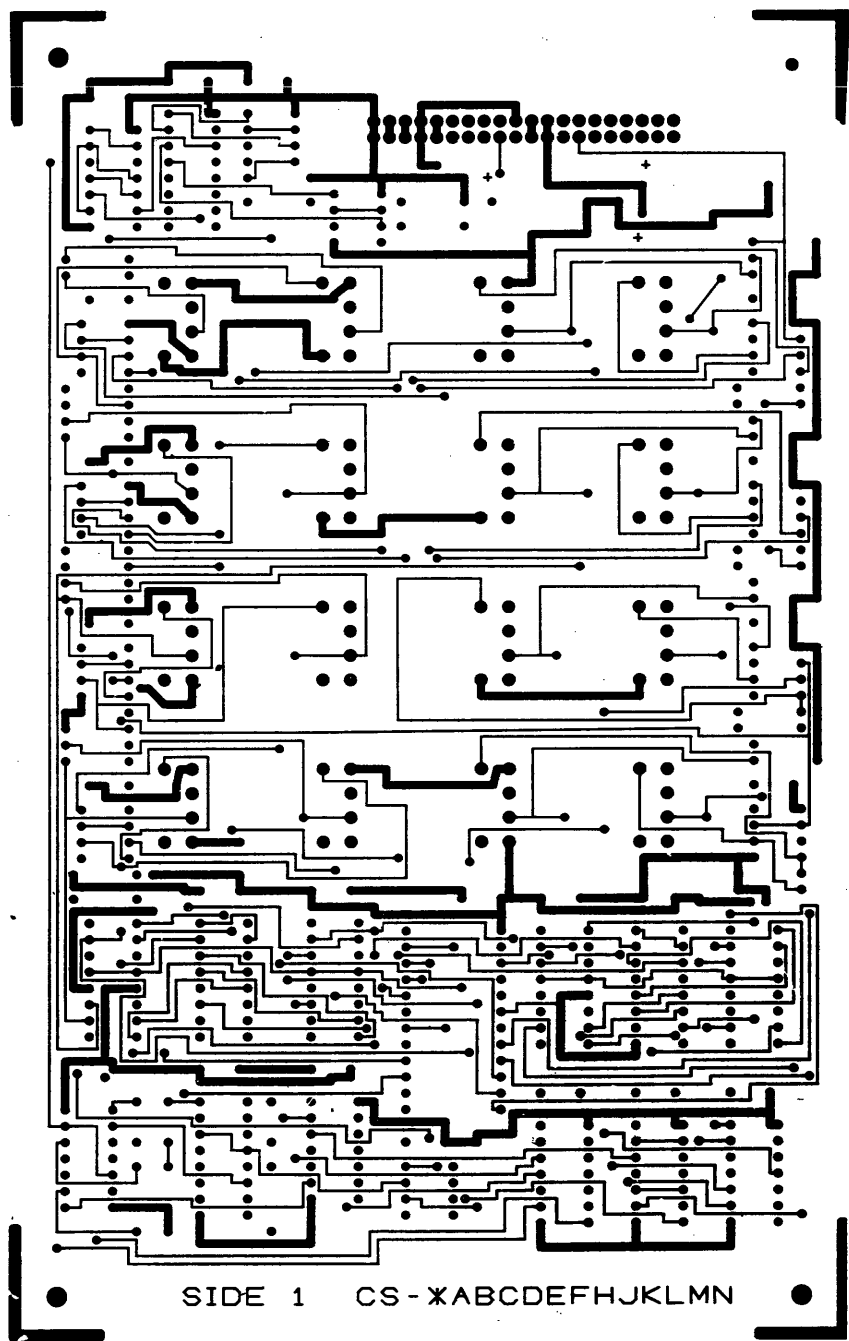


REVISIONS		
CHK	CHANGE NO.	REV.

TITLE: PUSH BUTTON PAD
 SIZE CODE: D UA
 NUMBER: 541054-0-5
 SCALE: 2/1
 SHEET: 2 OF 3
 DIST:

8 7 6 5 4 3 2 1

THIS DRAWING AND SPECIFICATIONS HEREIN ARE THE PROPERTY OF DIGITAL EQUIPMENT CORPORATION AND SHALL NOT BE REPRODUCED OR COPIED OR USED IN WHOLE OR IN PART AS INSTRUCTIONS FOR THE MANUFACTURE OR SALE OF ANY EQUIPMENT WITHOUT THE WRITTEN PERMISSION OF DIGITAL EQUIPMENT CORPORATION.



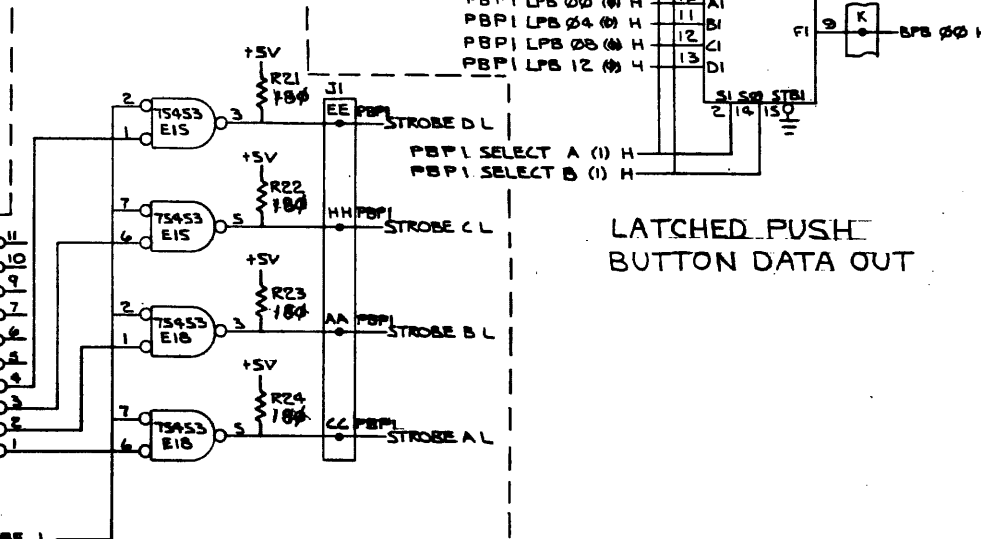
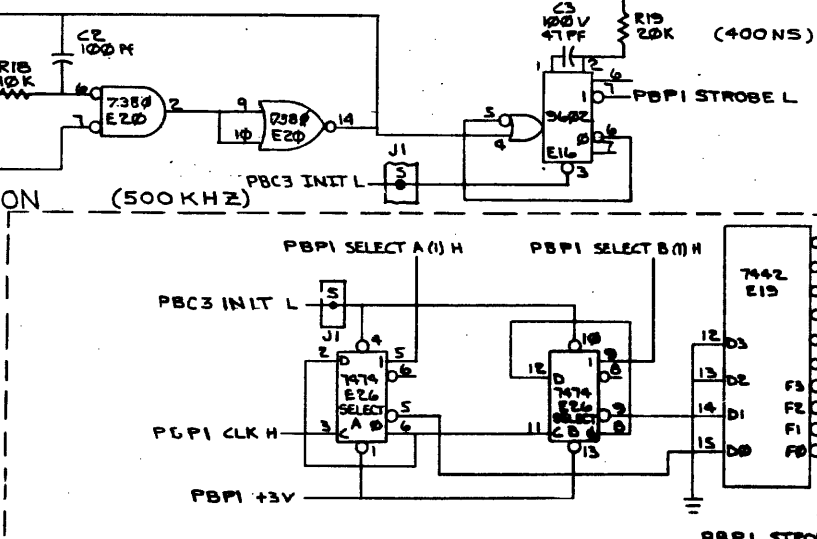
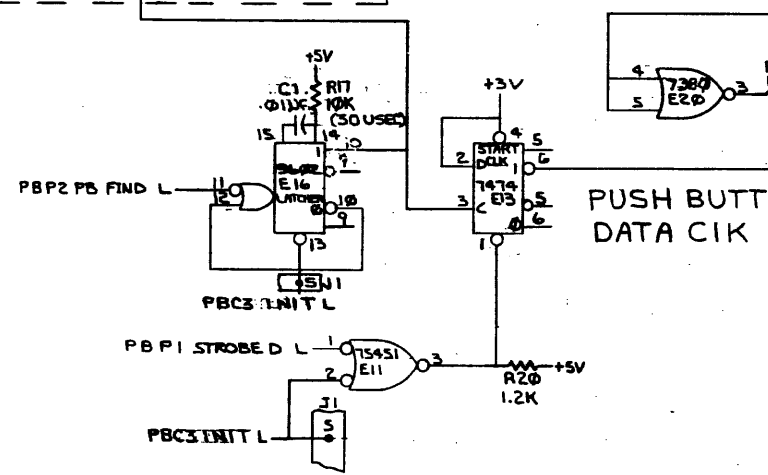
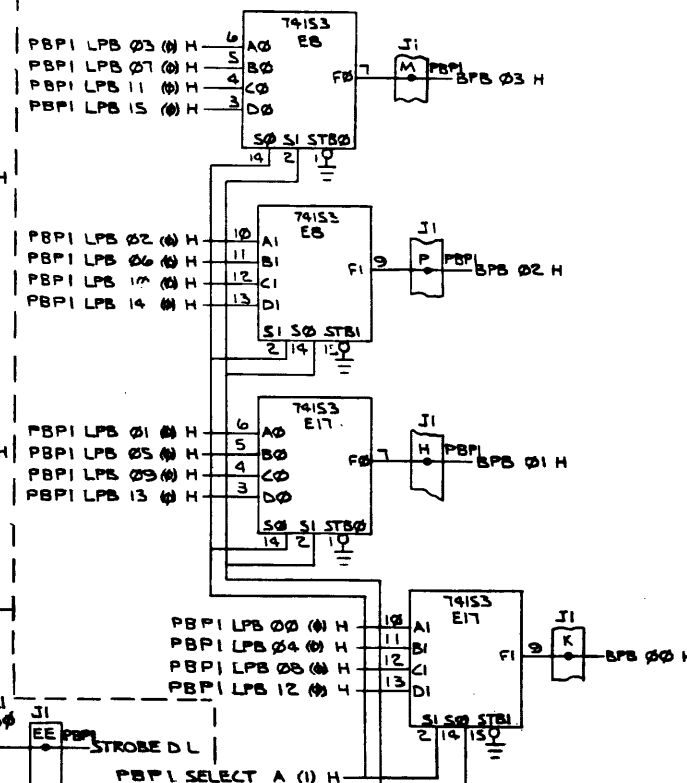
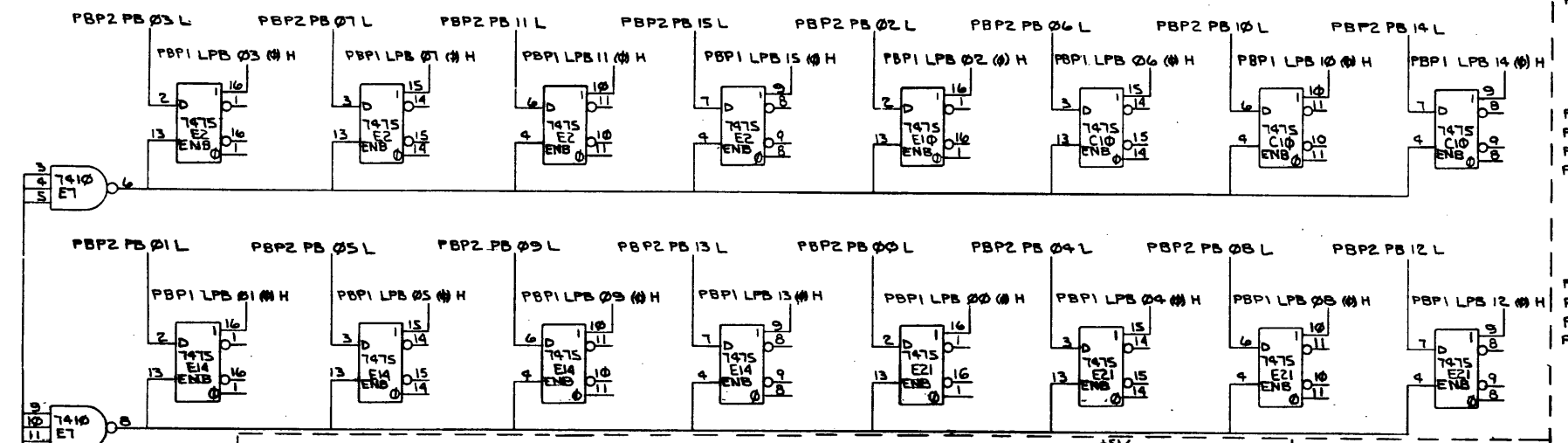
REVISIONS		
CHK	CHANGE NO.	REV.

TITLE	SIZE CODE	NUMBER	REV.
PUSH BUTTON PAD	D	UA 5411054-0-5	E
SCALE 2/1	SHEET 3 OF 3	DIST	

THIS DRAWING AND SPECIFICATIONS HEREIN ARE THE PROPERTY OF DIGITAL EQUIPMENT CORPORATION AND SHALL NOT BE REPRODUCED OR COPIED OR USED IN WHOLE OR IN PART AS THE BASIS FOR THE MANUFACTURE OR SALE OF ITEMS WITHOUT WRITTEN PERMISSION. COPYRIGHT © 1975, DIGITAL EQUIPMENT CORPORATION.

DCS 5411054-C-1

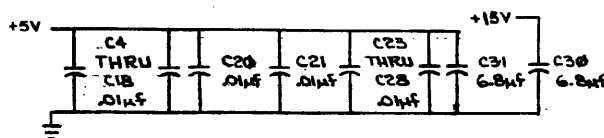
PUSH BUTTON LATCHES



7475		
INPUT	OUTPUT	
D	ENB	LFBXX (0) H
L	H	L
H	H	H
X	L	LEVEL OF OUTPUT BEFORE H→L TRANSITION OF ENB



PUSH BUTTON DATA CONTROL

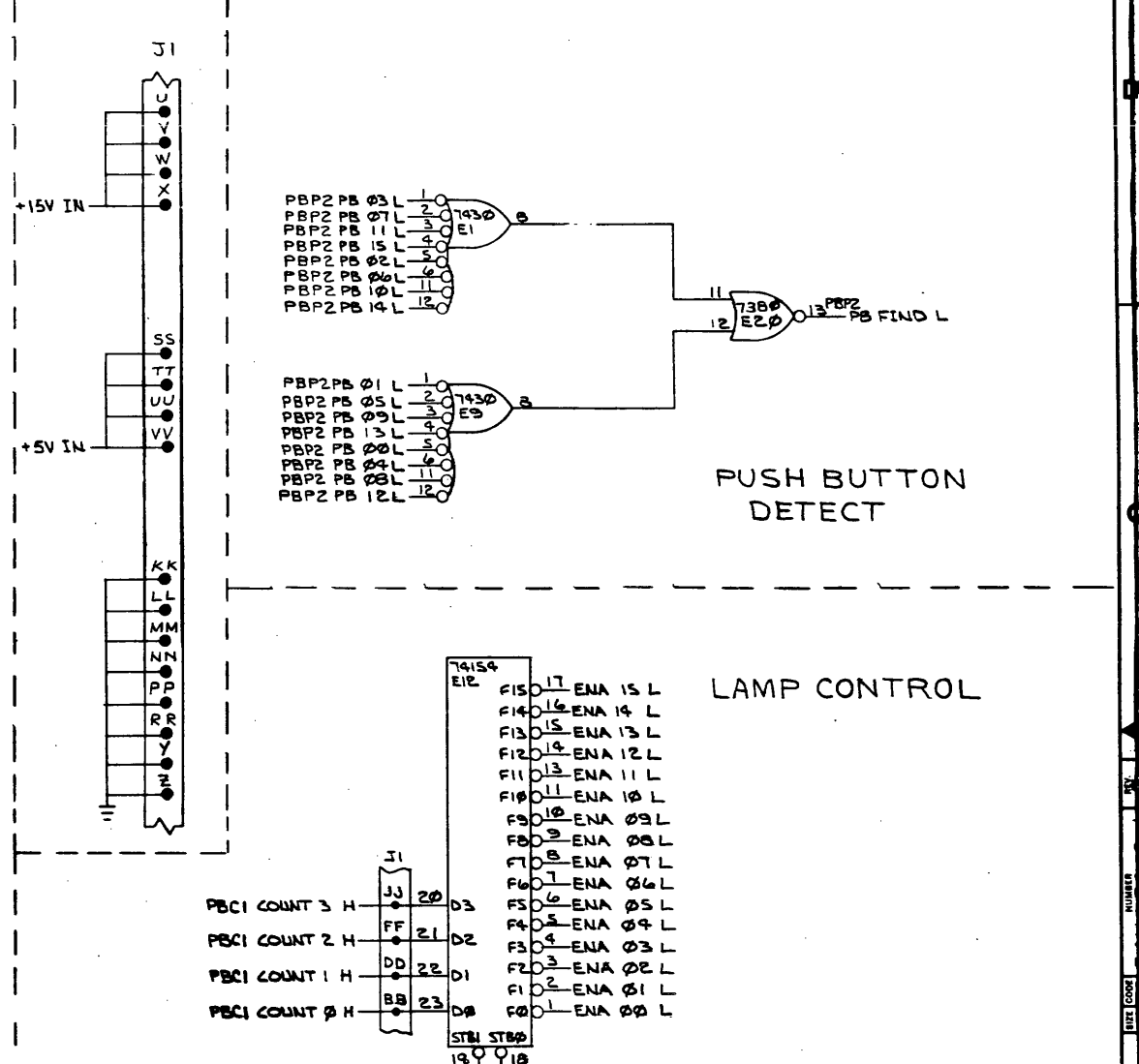
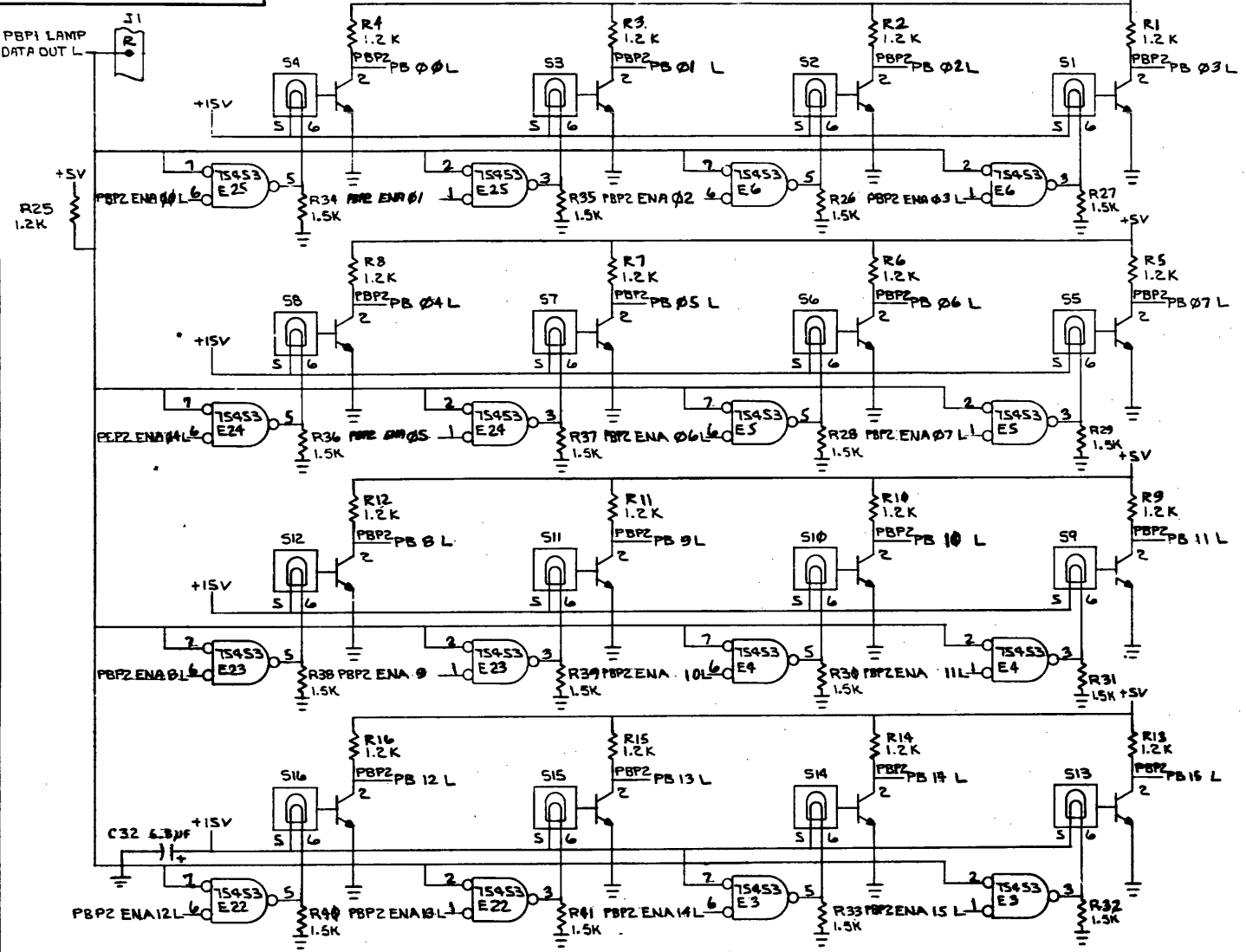


REV.	CHG.	NO.	DATE	BY	CHKD.
C					
D					
E					

ORIGINATED BY: A. ADelman
 CHECKED BY: J. DZKEVICH
 DATE: 03-20-78

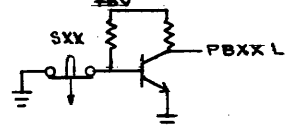
DRN: 100-100000-13-75	FIRST USED ON: LK04	Digital
CHK'D BY: [Signature]	TITLE: LK04	
ENG: [Signature]	PUSHBUTTON PAD	
PROD. ENG: [Signature]	PBPI	
NEXT HIGHER ASSY:	SIZE CODE: D	REV: E
B-DD-5411054-0	SCALE: 1	DIST.:
SHEET 1	OF 2	

THIS DRAWING AND SPECIFICATIONS HEREIN ARE THE PROPERTY OF DIGITAL EQUIPMENT CORPORATION AND SHALL NOT BE REPRODUCED OR COPIED OR USED IN WHOLE OR IN PART AS THE BASIS FOR THE MANUFACTURE OR SALE OF ITEMS WITHOUT WRITTEN PERMISSION. COPYRIGHT © 1975, DIGITAL EQUIPMENT CORPORATION



NOTE: PUSH BUTTON & LAMPS

- LAMP PORTION OF PUSH BUTTON IS CORRECT AS SHOWN
- BUTTON PORTION OF PUSH BUTTON IS EQUIVALENT TO THE FOLLOWING:



WHEN DEPRESSED PBXX L IS A TRUE CONDITION

REV.	
CHANGE NO.	
CHK	

DEC FORM NO. 1000

DRN: 12-18-75	FIRST USED ON	LK04	digital
CHK: 12-18-75	TITLE	LK04	
ENG: 12-18-75		PUSHBUTTON PAD	
PROJ. ENG: 12-18-75		PB P2	
PROJ. R: 12-18-75			
NEXT HIGHER ASSY.	SIZE	CC-2	NUMBER
B-DD-5411054-0	D	CS	5411054-0-1
SCALE			REV. E
SHEET 2	OF 2	DIST.	

CUSTOMER
PRINT SET

MFG SET

REVISION CONTROL SHEET

DRAWING NO

NO
OF
SHT

DESCRIPTION

OPTION
NO/FILE
DATE

REVISIONS

D-UA-W771-Ø-Ø	3	5V TO 15V CONV.
D-CS-W771-Ø-1	1	5V TO 15V CONV.
K-CO-W771-Ø-4	1	5V TO 15V CONV.
D-AH-W771-Ø-5	2	5V TO 15V CONV.
B-MH-W771-Ø-6	1	MODULE ECO HISTORY

A B
A B

B
A B
- A

5011460 - ETCH CIRCUIT BOARD

B

CUSTOMER
PRINT
SET
CODES

X = PRINT OF DOCUMENT INCLUDED IN PRINT SET
C = INCLUDES ALL PRINTS INDICATED ON DOCUMENT
S = CONFIDENTIAL AUTHORIZED SIGNATURE REQUIRED

ECO NO

ORIG

TITLE

5V TO 15V CONV.

SIZE CODE

B DD

NUMBER

w771-Ø

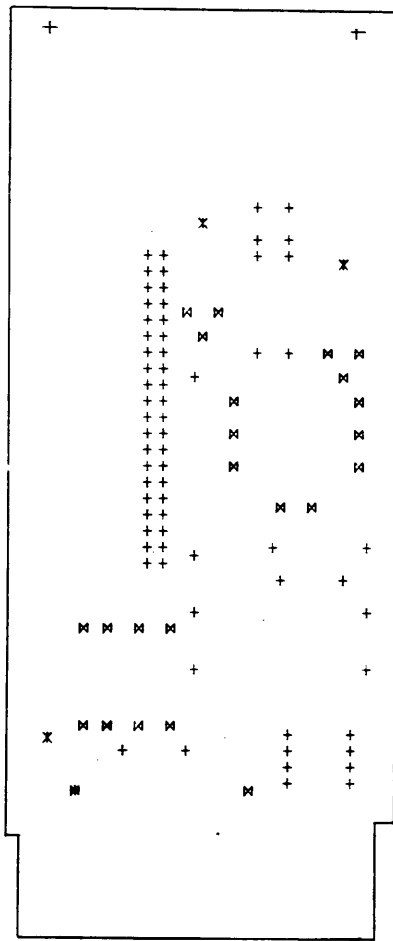
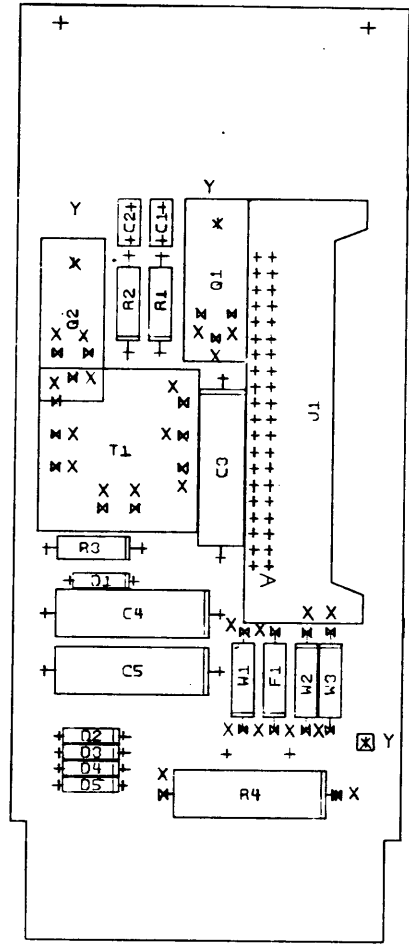
REV

A

SHEET 2 OF 2

THESE DRAWINGS AND SPECIFICATIONS, WHETHER MADE BY THE PROPERTY OF DIGITAL EQUIPMENT CORPORATION, SHALL NOT BE REPRODUCED OR COPIED OR USED IN WHOLE OR IN PART AS THE BASIS FOR THE MANUFACTURE OR SALE OF ITEMS WITHOUT WRITTEN PERMISSION. COPYRIGHT © 1975 DIGITAL EQUIPMENT CORPORATION

8 7 6 5 4 3 2 1
 0 UA W771-0-0 2



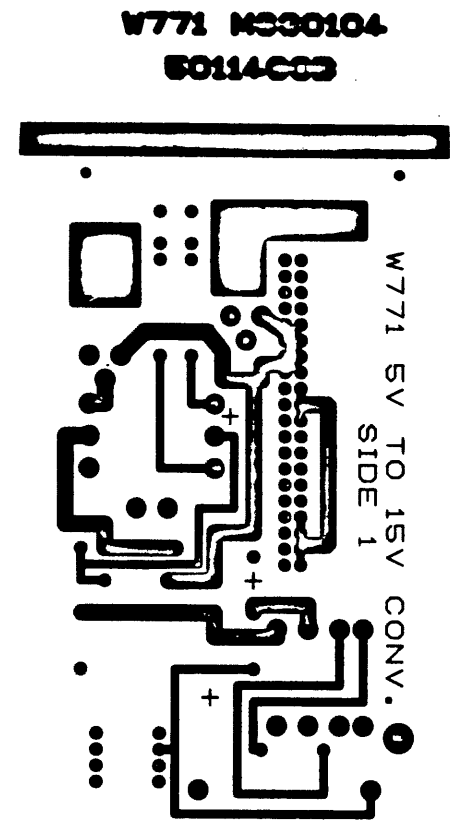
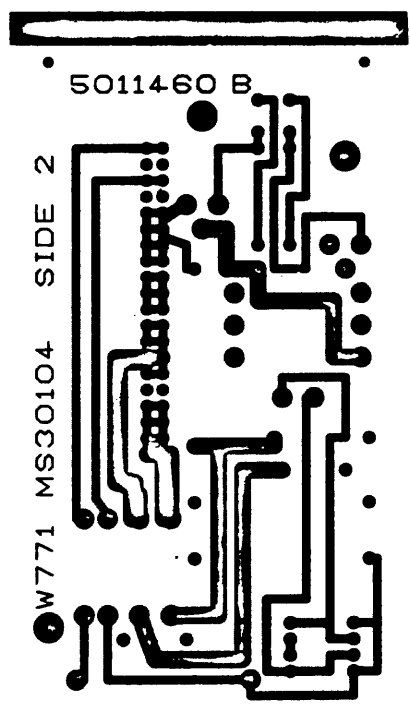
NOTES:

CHK	CHANGE NO	REV

SIGNATURES		DATE	digital
DRN. <i>[Signature]</i>		4/26/75	
CHK. D. <i>[Signature]</i>		4/28/75	TITLE 5V TO 15V CONV
ENG. D. <i>[Signature]</i>		7/13/75	
PROJ. ENG. <i>[Signature]</i>		7/13/75	SCALE 2/11
PROD. <i>[Signature]</i>		8/2/75	
SHT. 2	OF 3	SIZE CODE	NUMBER
ETCH REV	FIRST USED ON	0 UA	W771-0-0

THIS DRAWING AND SPECIFICATIONS HEREIN ARE THE PROPERTY OF C-37, EQUIPMENT CORPORATION AND SHALL NOT BE REPRODUCED OR COPIED OR LEND IN WHOLE OR IN PART AS THEY BELONG TO THE MANUFACTURER OR SALE OF THIS DRAWING WITHOUT PERMISSION OF C-37, EQUIPMENT CORPORATION

8 0-0-122M DUA 2

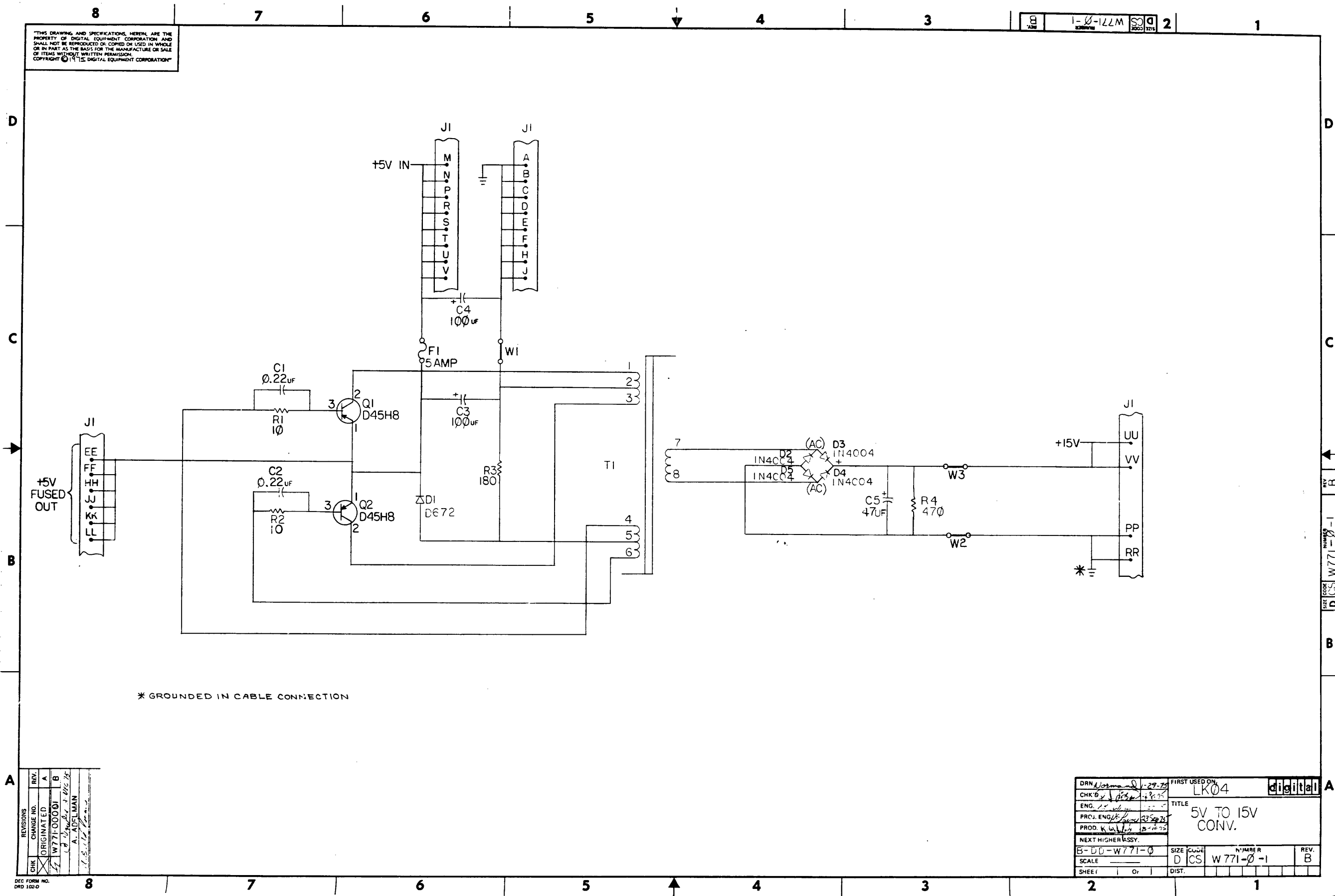


REVISIONS		
CHK	CHANGE NO	REV

TITLE	SIZE CODE	NUMB'R	REV.
5V TO 15V CONV	DUA	W771-0-0	B
SCALE	SHEET	OF	DIST
---	3	3	

THIS DRAWING AND SPECIFICATIONS HEREIN ARE THE PROPERTY OF DIGITAL EQUIPMENT CORPORATION AND SHALL NOT BE REPRODUCED OR COPIED OR USED IN WHOLE OR IN PART AS THE BASIS FOR THE MANUFACTURE OR SALE OF ITEMS WITHOUT WRITTEN PERMISSION. COPYRIGHT © 1971 DIGITAL EQUIPMENT CORPORATION

1-0-122M 2



* GROUND IN CABLE CONNECTION

REV.	CHANGED BY	DATE
A		
B		

ORIGINATED BY: W771-0001
 CHECKED BY: A. ADLMAN

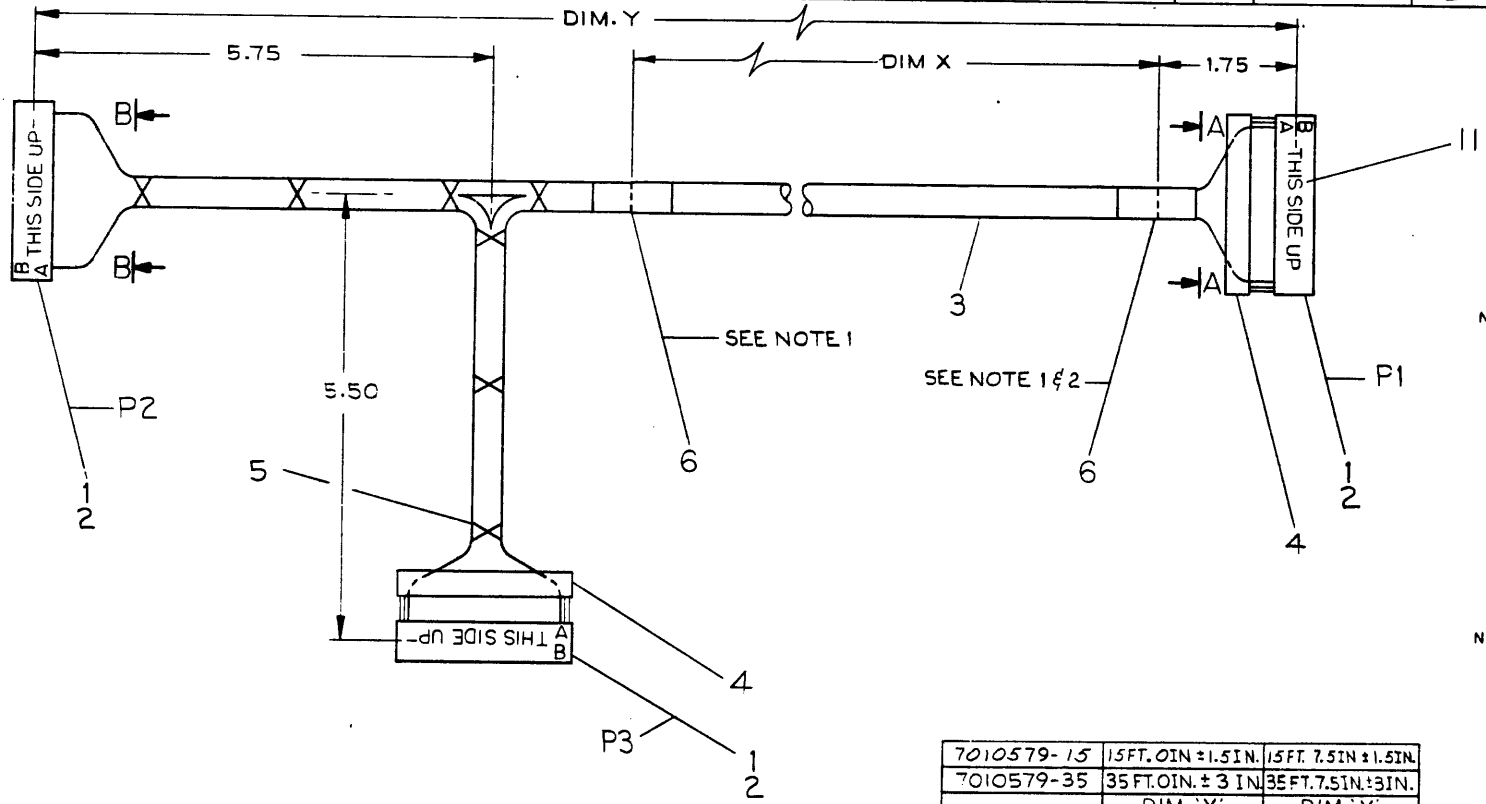
DRN: Norman 1-29-75	FIRST USED ON: LK04	digital
CHK'D BY: J. B. ...	TITLE: 5V TO 15V CONV.	
ENG. ...	SIZE: D	CODE: CS
PRJ. ENG. ...	NUMBER: W771-0-1	REV: B
PROD. ...	SHEET: 1	OF: 1

THIS DRAWING AND SPECIFICATIONS HEREIN ARE THE PROPERTY OF DIGITAL EQUIPMENT CORPORATION AND SHALL NOT BE REPRODUCED OR COPIED OR USED IN WHOLE OR IN PART AS THE BASIS FOR THE MANUFACTURE OR SALE OF ITEMS WITHOUT WRITTEN PERMISSION. COPYRIGHT © 1974, DIGITAL EQUIPMENT CORPORATION

WIRE TABLE							
ITEM NO.	AWG	COLOR	CONNECTION	WITH	CONNECTION	WITH	REMARKS
3	24	GRN	PI-H	2	P2-H	2	PBCI BPB Ø1L
	TWP	WHT	PI-A		P3-A		GND
		GRY	PI-K		P2-K		PBCI BPB ØØL
		BLK	PI-B		P3-B		GND
		ORN	PI-M		P2-M		PBCI BPB Ø3L
		RED	PI-C		P3-C		GND
		GRY	PI-P		P2-P		PBCI BPB Ø2L
		WHT	PI-D		P3-D		GND
		BLU	PI-AA		P2-AA		PBPI STROBE BL
		YEL	PI-MM		P3-M		FUSED +5V
		BRN	PI-CC		P2-CC		PBPI STROBE AL
		WHT	PI-NN		P3-N		FUSED +5V
		RED	PI-EE		P2-EE		PBPI STROBE DL
		GRN	PI-PP		P3-P		FUSED +5V
		RED	PI-HH		P2-HH		PBPI STROBE CL
		BLU	PI-RR		P3-R		FUSED +5V
		GRN	PI-S		P2-S		PBC3 INIT L
		BLK	PI-SS		P2-SS		FUSED +5V
	24	BRN	PI-J		P2-PP		GND
3	TWP	BLK	PI-L	2	P2-RR	2	GND

WIRE TABLE (CON'T)							
ITEM NO.	AWG	COLOR	CONNECTION	WITH	CONNECTION	WITH	REMARKS
3	24	BRN	PI-Z	2	P2-R	2	PBCI LAMP DATA L
	TWP	RED	PI-TT		P2-TT		FUSED +5V
		YEL	PI-BB		P2-DD		PBCI COUNT 1 L
		ORN	PI-UU		P2-UU		FUSED +5V
		BLU	PI-DD		P2-BB		PBCI COUNT ØL
		BLK	PI-VV		P2-VV		FUSED +5V
		BLU	PI-JJ		P2-FF		PBCI COUNT 2L
		WHT	PI-E		P2-MM		GND
		ORN	PI-FF		P2-JJ		PBCI COUNT 3L
		WHT	PI-F		P2-NN		GND
	24	ORN	PI-N		P3-E		GND
3	TWP	BLK	PI-R		P3-F		GND
7	24	BRN	P3-H		P3-PP		GND
8	24	BLK	P3-J		P3-RR		GND
9	24	ORN	P3-UU		P2-U		+15V
10	24	BLU	P3-VV		P2-V		+15V
3	24	RED	PI-T		P2-KK		GND
3	TWP	GRY	PI-V		P2-LL		GND
3	24	GRN	PI-X		P2-Y		GND
3	TWP	YEL	PI-LL	2	P2-Z	2	GND

NOTES
 1. CUT UNUSED WIRES AND INSULATION HERE (ITEM #3).
 2. USE 1 INCH SHRINK TUBING (ITEM #6) IN BOTH PLACES.



NOT USED

V	U
T	S
R	P
Q	O
N	M
M	L
L	K
K	J
J	I
I	H
H	G
G	F
F	E
E	D
D	C
C	B
B	A
A	

NOT USED

VIEW B-B
 PIN INSERTION

NOT USED

A	B
C	D
E	F
G	H
I	J
K	L
M	N
P	Q
R	S
T	U
V	W
X	Y
Z	

NOT USED

VIEW A-A
 PIN INSERTION
 TYPICAL PI, P3

7010579-15	15 FT. 0 IN. ± 1.5 IN.	15 FT. 7.5 IN. ± 1.5 IN.
7010579-35	35 FT. 0 IN. ± 3 IN.	35 FT. 7.5 IN. ± 3 IN.
NUMBER	DIM. X	DIM. Y
VARIATION		
LEGEND		

QTY.	DESCRIPTION	PART NO.	ITEM NO.
3	LABEL	3611567	11
A/R	WIRE, #24 AWG BLU	9107450-66	10
A/R	WIRE, #24 AWG ORN	9107450-33	9
A/R	WIRE, #24 AWG BLK	9107450-10	8
A/R	WIRE, #24 AWG BRN	9107450-11	7
A/R	SHRINK TUBING, WHT 3/4"	9107250-09	6
A/R	CABLE TIE	9007880	5
2	STRAIN RELIEF	1211166	4
A/R	CABLE, 36 COND.	9107700-0-0	3
30	PIN	1210089-C4	2
3	CONN. 40 SKT.	1210918-15	1

REVISIONS

CHK	CHANGE NO.	REV.	DATE
	7010579-00001	A	
	7010579-00002	B	
	7010579-00003	C	

FIRST USED ON OPTION/MODEL: LK04

DIMENSIONAL TOLERANCE: DIMENSIONS ARE IN INCHES UNLESS OTHERWISE SPECIFIED

MILLIMETERS	INCHES	ANGLES
±0.10	±0.004	±0.25°
±0.25	±0.010	±0.5°
±0.50	±0.020	±1.0°

THIRD ANGLE PROJECTION

REMOVE BURRS AND BREAK SHARP CORNERS SURFACE QUALITY

MATERIAL: SEE PARTS LIST

FINISH: //

DRN: Cal McCay DATE: 11-15-74

CHK'D: DATE: 1-21-75

ENG: DATE: 2-11-75

PROJ. ENG: DATE: 2-11-75

PROD: DATE: 7-8-75

NEXT HIGHER ASSY.

TITLE: PUSHBUTTON CABLE

SIZE CODE: DIA

NUMBER: 7010579-0-0

REV. C

SCALE: 1/1

SHEET 1 OF 1

DIST.

